

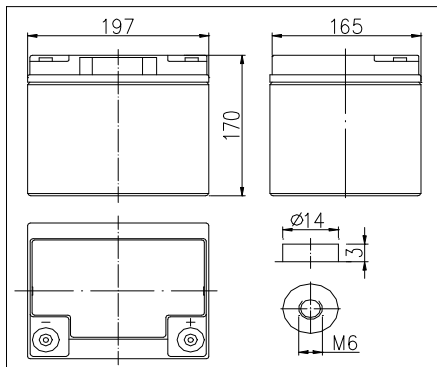
RPower GiV12400V (12V 40Ah AGM Battery)

VdS No. G108045

EAN: 4260123682415

Floating Life at 20°C designed for up to 6 years

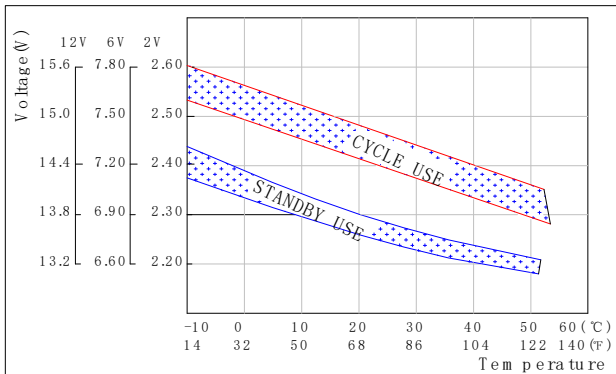
Dimensions



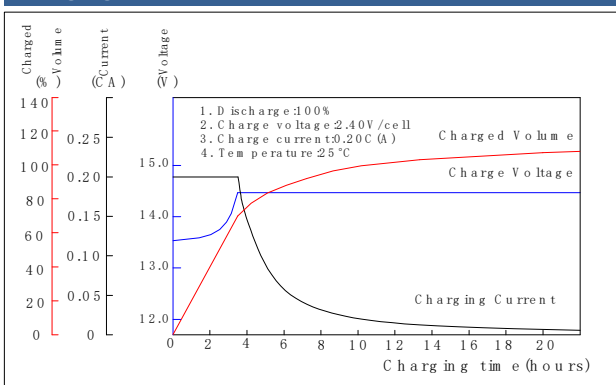
Specifications

Nominal Voltage		12V
Capacity (10hr@25°C@1.80V/C)		40Ah
Dimensions (±2mm)	Length	197mm (7.76inch)
	Width	165mm (6.50inch)
	Height	170mm (6.69inch)
	Total Height	170mm (6.69inch)
Approx. Weight		12.50kg (27.56lbs)
Maximum charging current		12A
Maximum discharge current		400A (5sec.)
Internal resistance		Approx. 8.5mΩ
Capacity affected by temperature (20hr)	40°C	102%
	25°C	100%
	0°C	85%
	-15°C	65%
Self-discharge (25°C)	3 month	Remaining Capacity: 91%
	6 month	Remaining Capacity: 82%
	12 month	Remaining Capacity: 65%
Nominal operating temperature		25°C ±3°C (77°F±5°F)
Operating temperature range		-20°C~50°C (-4°F~122°F)
Float charging voltage (25°C)		13.65 to 13.80V
Cyclic charging voltage (25°C)		14.40 to 15.00V
Terminal material		Copper

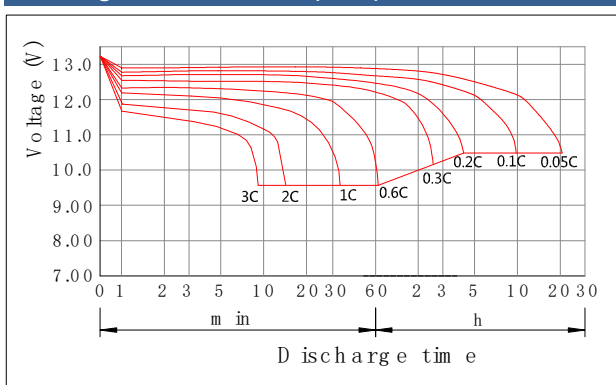
The Relationship for Charging Voltage and Temperature



Charging Characteristics (25°C)



Discharge Characteristics (25°C)



Constant Current Discharge Characteristics (Ampere / Battery, 25°C)

FV / TIME	5min	10min	15min	20min	30min	45min	1h	2h	3h	4h	5h	6h	8h	10h	20h
10.98V	96,90	61,90	50,60	38,10	32,50	25,40	21,20	13,10	9,35	7,75	6,65	5,64	4,58	3,96	2,09
10.80V	99,90	63,80	52,10	39,30	33,60	25,90	21,60	13,40	9,54	7,82	6,72	5,70	4,63	4,00	2,11
10.50V	106,00	67,50	55,10	41,50	34,80	26,80	22,30	13,70	9,87	8,07	6,92	5,78	4,77	4,03	2,13
10.20V	110,00	70,60	57,00	42,90	35,60	27,40	22,70	14,00	9,87	8,13	6,97	5,84	4,80	4,05	2,13
9.90V	115,00	73,60	59,20	44,50	36,80	28,20	23,30	14,10	9,96	8,18	7,02	5,88	4,84	4,06	2,14
9.60V	119,00	75,90	60,70	45,60	37,60	28,80	23,70	14,10	10,00	8,23	7,06	5,88	4,87	4,07	2,15

Constant Power Discharge Characteristics (Watt / Battery, 25°C)

FV / TIME	5min	10min	15min	20min	30min	45min	1h	2h	3h	4h	5h	6h	8h	10h	20h
10.98V	1158,00	739,00	604,00	456,00	389,00	304,00	253,00	157,00	112,00	92,60	79,50	67,40	54,70	47,30	24,90
10.80V	1194,00	762,00	623,00	470,00	401,00	310,00	258,00	160,00	114,00	93,50	80,30	68,10	55,30	47,80	25,20
10.50V	1263,00	807,00	658,00	495,00	416,00	321,00	266,00	164,00	118,00	96,40	82,70	69,00	57,00	48,10	25,40
10.20V	1314,00	844,00	681,00	513,00	426,00	328,00	271,00	167,00	118,00	97,10	83,30	69,80	57,40	48,40	25,50
9.90V	1375,00	880,00	707,00	532,00	440,00	337,00	278,00	168,00	119,00	97,80	83,90	70,30	57,80	48,50	25,60
9.60V	1417,00	907,00	725,00	545,00	449,00	344,00	283,00	169,00	120,00	98,40	84,40	70,30	58,20	48,60	25,70