

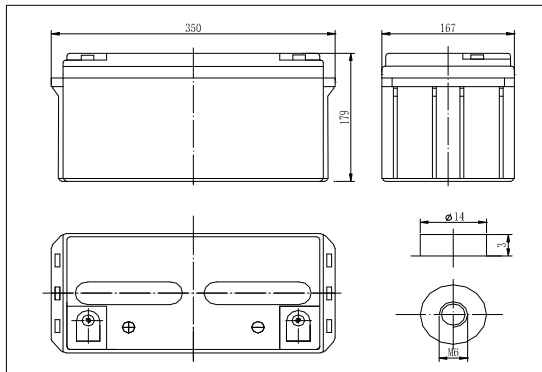
RPower GiV12650V (12V 65Ah AGM Battery)

VdS No. G109050

EAN: 4260123682583

Floating Life at 20°C designed for up to 6 years

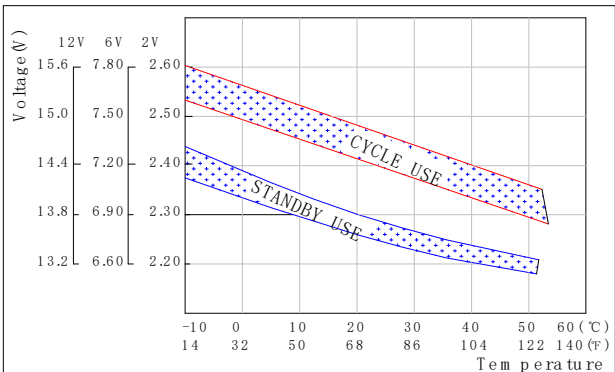
Dimensions



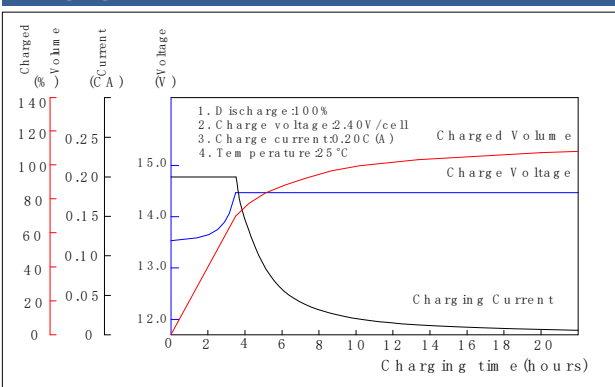
Specifications

Nominal Voltage		12V
Capacity (10hr@25°C@1.80V/C)		65Ah
Dimensions (±2mm)	Length	350mm (13.8inch)
	Width	167mm (6.57inch)
	Height	179mm (7.05inch)
	Total Height	179mm (7.05inch)
Approx. Weight		20.80kg (45.86lbs)
Maximum charging current		19.5A
Maximum discharge current		650A (5sec.)
Internal resistance		Approx. 6mΩ
Capacity affected by temperature (20hr)	40°C	102%
	25°C	100%
	0°C	85%
	-15°C	65%
Self-discharge (25°C)	3 month	Remaining Capacity: 91%
	6 month	Remaining Capacity: 82%
	12 month	Remaining Capacity: 65%
Nominal operating temperature		25°C ±3°C (77°F±5°F)
Operating temperature range		-20°C~50°C (-4°F~122°F)
Float charging voltage (25°C)		13.65 to 13.80V
Cyclic charging voltage (25°C)		14.40 to 15.00V
Terminal material		Copper

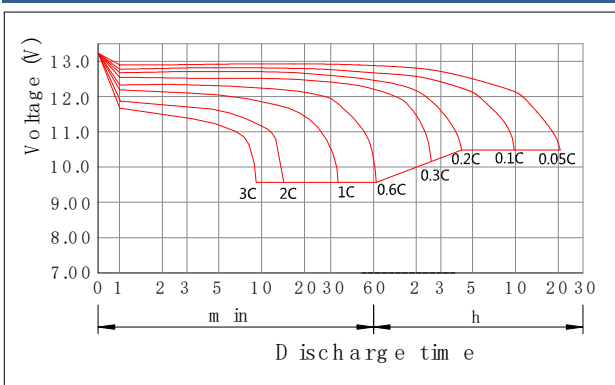
The Relationship for Charging Voltage and Temperature



Charging Characteristics (25°C)



Discharge Characteristics (25°C)



Constant Current Discharge Characteristics (Ampere / Battery, 25°C)

FV / TIME	5min	10min	15min	20min	30min	45min	1h	2h	3h	4h	5h	6h	8h	10h	20h
10.98V	159,00	101,00	82,80	62,50	53,20	41,50	34,60	21,50	15,30	12,60	10,90	9,17	7,50	6,44	3,42
10.80V	164,00	104,00	85,40	64,40	54,90	42,40	35,30	21,90	15,60	12,80	11,00	9,26	7,58	6,50	3,46
10.50V	173,00	111,00	90,10	67,90	57,00	43,90	36,40	22,50	16,10	13,20	11,30	9,39	7,82	6,54	3,47
10.20V	180,00	116,00	93,30	70,30	58,40	44,90	37,20	22,80	16,20	13,30	11,40	9,51	7,87	6,59	3,50
9.90V	188,00	121,00	96,90	72,80	60,30	46,30	38,20	23,00	16,40	13,40	11,50	9,63	7,92	6,64	3,51
9.60V	194,00	124,00	99,30	74,70	61,50	47,10	38,70	23,20	16,40	13,50	11,50	9,65	7,97	6,67	3,52

Constant Power Discharge Characteristics (Watt / Battery, 25°C)

FV / TIME	5min	10min	15min	20min	30min	45min	1h	2h	3h	4h	5h	6h	8h	10h	20h
10.98V	1883,00	1201,00	983,00	741,00	631,00	493,00	411,00	255,00	181,00	149,00	129,00	109,00	89,00	76,30	40,60
10.80V	1941,00	1238,00	1013,00	764,00	651,00	503,00	419,00	260,00	185,00	152,00	130,00	110,00	89,90	77,10	41,00
10.50V	2052,00	1312,00	1069,00	805,00	676,00	521,00	432,00	267,00	191,00	157,00	134,00	111,00	92,70	77,60	41,20
10.20V	2137,00	1371,00	1107,00	834,00	693,00	533,00	441,00	271,00	192,00	158,00	135,00	113,00	93,30	78,20	41,50
9.90V	2235,00	1430,00	1149,00	864,00	715,00	549,00	453,00	273,00	194,00	159,00	136,00	114,00	94,00	78,80	41,60
9.60V	2302,00	1474,00	1178,00	886,00	729,00	558,00	459,00	275,00	195,00	160,00	137,00	114,00	94,50	79,10	41,70