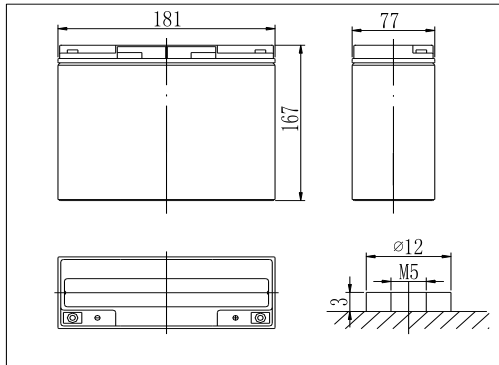


RPower GiV12220CW (12V 22Ah AGM Cyclic-Battery)

Floating Life at 20°C designed for up to 6 years

EAN: 4260349823807

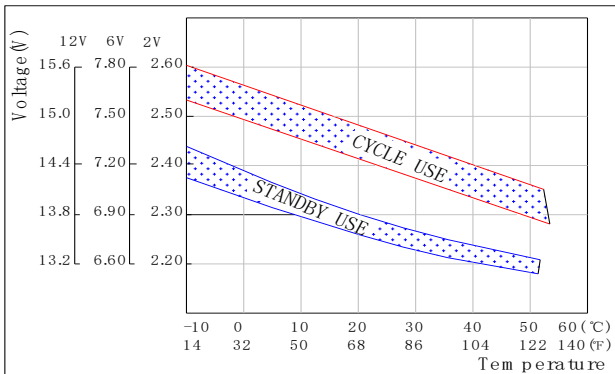
Dimensions



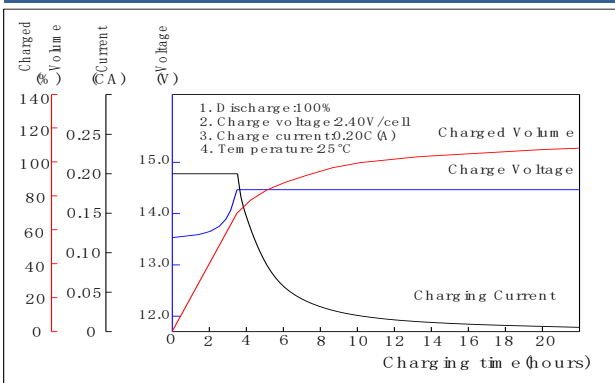
Specifications

Nominal Voltage		12V
Capacity (20hr@25°C@1.75V/C)		22Ah
Dimensions (±2mm)	Length	181mm (7.13inch)
	Width	77mm (3.03inch)
	Height	167mm (6.57inch)
	Total Height	167mm (6.57inch)
Approx. Weight		6.30kg (13.89lbs)
Maximum charging current		6.6A
Maximum discharge current		270A (5sec.)
Internal resistance		Approx. 10mΩ
Capacity affected by temperature (20hr)	40°C	102%
	25°C	100%
	0°C	85%
	-15°C	65%
Self-discharge (25°C)	3 month	Remaining Capacity: 91%
	6 month	Remaining Capacity: 82%
	12 month	Remaining Capacity: 65%
Nominal operating temperature		25°C ±3°C (77°F±5°F)
Operating temperature range		-20°C~50°C (-4°F~122°F)
Float charging voltage (25°C)		13.65 to 13.80V
Cyclic charging voltage (25°C)		14.40 to 15.00V
Terminal material		Copper

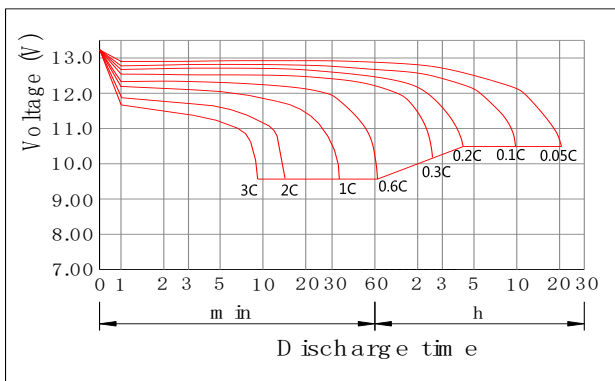
The Relationship for Charging Voltage and Temperature



Charging Characteristics (25°C)



Discharge Characteristics (25°C)



Constant Current Discharge Characteristics (Ampere / Battery, 25°C)

FV / TIME	5min	10min	15min	30min	1h	2h	3h	4h	5h	10h	20h	--	--	--	--
10.80V	71,60	45,20	36,40	21,00	13,10	7,45	5,38	4,30	3,64	2,01	1,09	--	--	--	--
10.50V	75,80	48,10	38,40	21,90	13,50	7,63	5,53	4,43	3,77	2,05	1,10	--	--	--	--
10.20V	79,20	50,10	39,60	22,30	13,90	7,77	5,57	4,47	3,81	2,08	1,11	--	--	--	--
9.90V	82,60	52,40	41,30	23,10	14,20	7,82	5,62	4,50	3,84	2,08	1,12	--	--	--	--
9.60V	85,10	53,80	42,10	23,50	14,40	7,89	5,65	4,52	3,84	2,10	1,13	--	--	--	--

Constant Power Discharge Characteristics (Watt / Battery, 25°C)

FV / TIME	5min	10min	15min	30min	1h	2h	3h	4h	5h	10h	20h	--	--	--	--
10.80V	804,00	509,00	415,00	241,00	153,00	87,00	64,10	51,30	43,70	24,20	13,10	--	--	--	--
10.50V	848,00	540,00	437,00	251,00	157,00	89,20	65,70	52,80	45,00	24,80	13,30	--	--	--	--
10.20V	887,00	562,00	450,00	256,00	161,00	90,90	66,00	53,10	45,20	24,90	13,40	--	--	--	--
9.90V	924,00	587,00	469,00	264,00	165,00	91,40	66,80	53,50	45,50	25,00	13,40	--	--	--	--
9.60V	953,00	604,00	477,00	270,00	167,00	92,10	67,10	53,80	45,90	25,10	13,50	--	--	--	--