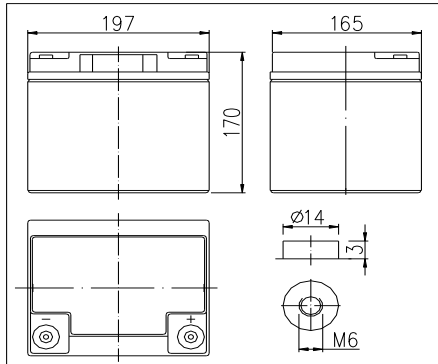


RPower GiV12500CW (12V 50Ah AGM Cyclic-Battery)

Floating Life at 20°C designed for up to 6 years

EAN: 4260349823739

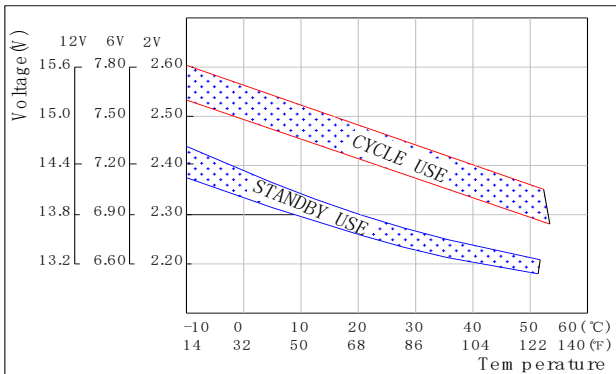
Dimensions



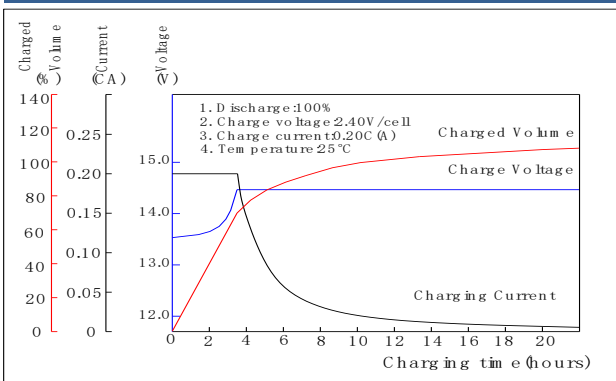
Specifications

Nominal Voltage		12V
Capacity (10hr@25°C@1.75V/C)		50Ah
Dimensions (±2mm)	Length	197mm (7.76inch)
	Width	165mm (6.50inch)
	Height	170mm (6.69inch)
	Total Height	170mm (6.69inch)
Approx. Weight		13.50kg (29.76lbs)
Maximum charging current		13.5A
Maximum discharge current		400A (5sec.)
Internal resistance		Approx. 8mΩ
Capacity affected by temperature (20hr)	40°C	102%
	25°C	100%
	0°C	85%
	-15°C	65%
Self-discharge (25°C)	3 month	Remaining Capacity: 91%
	6 month	Remaining Capacity: 82%
	12 month	Remaining Capacity: 65%
Nominal operating temperature		25°C ±3°C (77°F±5°F)
Operating temperature range		-20°C~50°C (-4°F~122°F)
Float charging voltage (25°C)		13.65 to 13.80V
Cyclic charging voltage (25°C)		14.40 to 15.00V
Terminal material		Copper

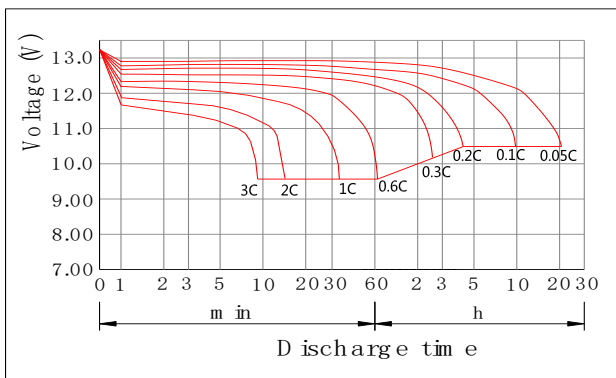
The Relationship for Charging Voltage and Temperature



Charging Characteristics (25°C)



Discharge Characteristics (25°C)



Constant Current Discharge Characteristics (Ampere / Battery, 25°C)

FV / TIME	15min	30min	1h	2h	3h	4h	5h	6h	8h	10h	20h	--	--	--
10.80V	64,40	40,60	25,70	15,50	10,90	8,96	7,65	6,62	5,22	4,50	2,45	--	--	--
10.50V	68,00	42,10	26,60	16,00	11,30	9,23	7,88	6,84	5,40	4,55	2,50	--	--	--
10.20V	70,70	43,20	27,00	16,20	11,40	9,27	7,92	6,89	5,45	4,55	2,50	--	--	--
9.90V	73,40	44,60	27,80	16,30	11,50	9,36	7,97	6,89	5,49	4,59	2,50	--	--	--
9.60V	75,20	45,50	28,10	16,40	11,50	9,41	8,06	6,98	5,49	4,59	2,50	--	--	--

Constant Power Discharge Characteristics (Watt / Battery, 25°C)

FV / TIME	15min	30min	1h	2h	3h	4h	5h	6h	8h	10h	20h	--	--	--
10.80V	709,00	456,00	294,00	180,00	128,00	105,00	90,50	78,30	62,10	53,60	28,40	--	--	--
10.50V	747,00	471,00	303,00	185,00	132,00	108,00	92,30	80,10	64,40	54,00	28,60	--	--	--
10.20V	774,00	483,00	308,00	187,00	133,00	108,00	93,20	81,00	64,80	54,00	28,70	--	--	--
9.90V	803,00	497,00	316,00	188,00	133,00	109,00	93,60	81,00	65,30	54,50	28,80	--	--	--
9.60V	824,00	505,00	320,00	189,00	134,00	109,00	94,50	81,90	65,30	54,50	28,80	--	--	--